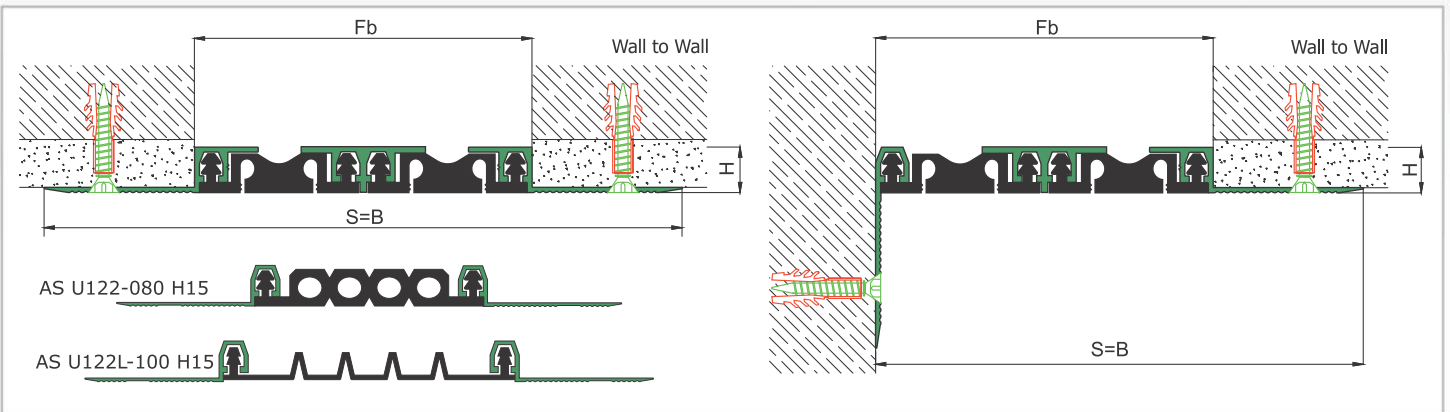
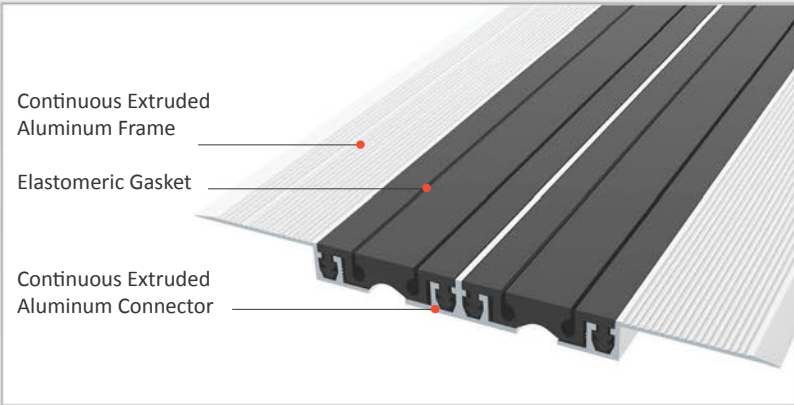




AS U122 surface mounted profile can easily be installed by means of screws to all types of wall & ceiling. Push-down elastomeric gasket can be changed without demounting the profile. Profiles up to 80 mm gap are manufactured with single gasket while the wider ones are with double gaskets joined with a connector profile. For some gaps, profile is able to be applied with floor type AS U222 and this dual application brings in a decorative aspect.

- Application Areas** : Indoor / Wall & Ceiling
- Ideal for** : Shopping Malls, Residences, Hospitals, Hotels, Commercial & Public Buildings etc.
- Material** : Mill Finish Aluminum (Anodizing optional), EPDM (Only in Black Color) or TPE Gasket
- Aluminum Alloy** : 6063 AA-USA / EN AW 6063
- Optional Supplies** : Fire Barrier, Waterproof EPDM membrane

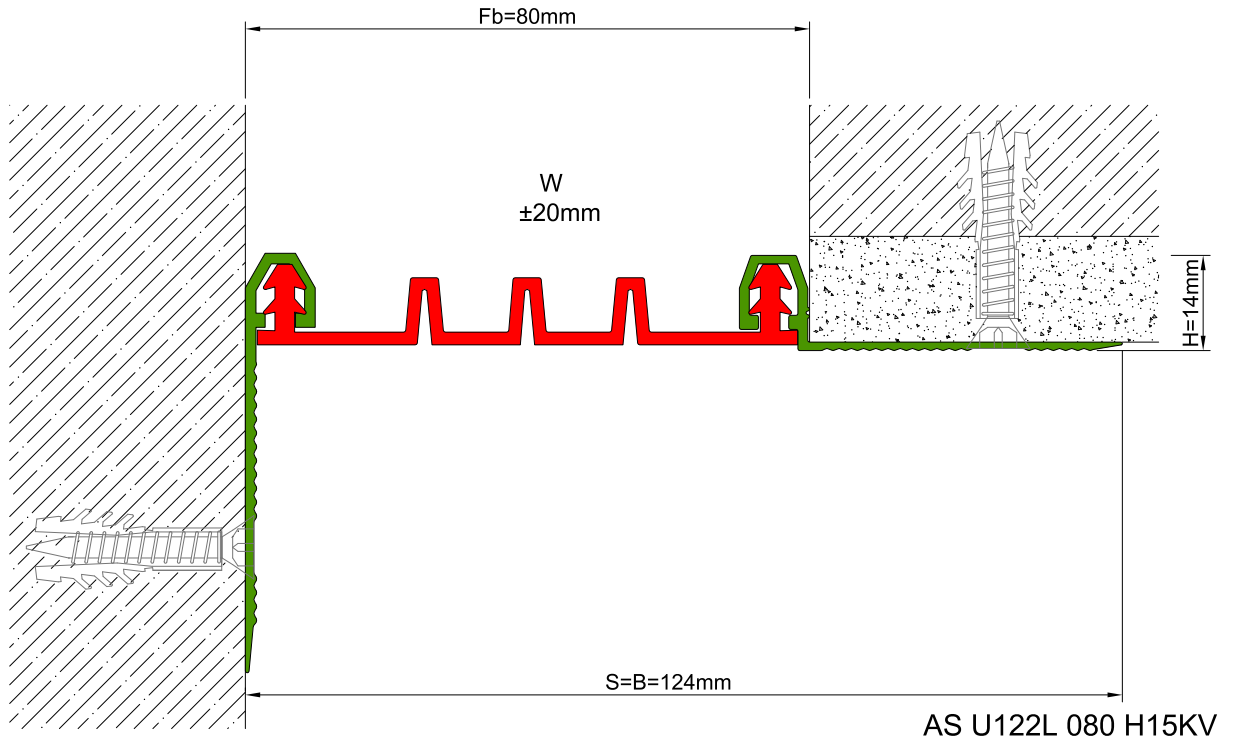
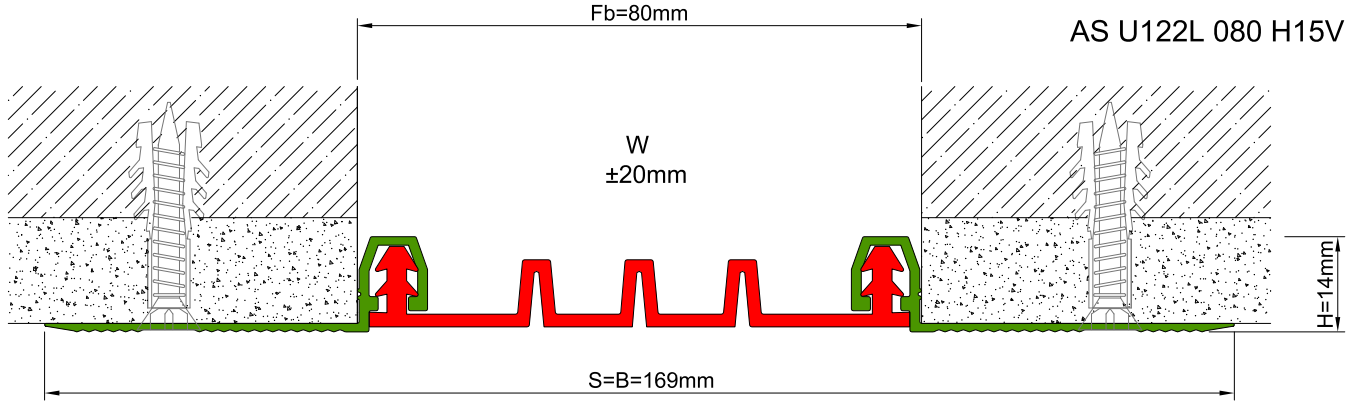


\* Visuals are representative and the profile configuration may differ depending on the characteristics requested.



LOCATION	MODEL	GAP (Fb) mm	HEIGHT (H) MM	OVERALL WIDTH (B) mm	VISIBLE WIDTH (S) mm	MOVEMENT (W) mm	LOAD CAPACITY	STANDARD LENGTH (mt)
Wall to Wall	AS U122-030	30	15	119	119	± 5	N/A	3
	AS U122-050	50	15	139	139	± 7	N/A	3
	AS U122-080	80	15	169	169	± 10	N/A	3
	AS U122-100	105	15	189	189	± 14	N/A	3
	AS U122-150	150	15	239	239	± 20	N/A	3
	AS U122 L-050	50	15	139	139	+16 / -8	N/A	3
	AS U122 L-080	80	15	169	169	± 20	N/A	3
	AS U122 L-100	100	15	189	189	+30 / -20	N/A	3

Note: Please ask for different sizes



Profil No Profile Number	AS U122L 080	AS U122L 080K
Fb (mm)	80	80
H (mm) yaklaşık approx.	15	15
W± (mm) yaklaşık approx.	±20	±20
Renk Color	Alüminyum: Natürel, Fitiller: Siyah, gri, diğer Aluminum: Natural, Inserts: Black, grey, others	
Malzeme Material	Alüminyum, EPDM Kauçuk(siyah), Termoplastik Kauçuk (gri ve diğer) Aluminum, EPDM Rubber(black), Thermoplastic Rubber (grey and others)	
Standart Uzunluk Standard Length	3	